



## **Vector** 6U NEMA Electronics Chassis

The Vector 6U standard configuration includes a backplane with 7 available slots for plug-in modules. This standard configuration allows up to 3 LTCUs (up to 6 channels) and an External I/O or 2 LTCUs (up to 4 channels) and two External I/O boards.

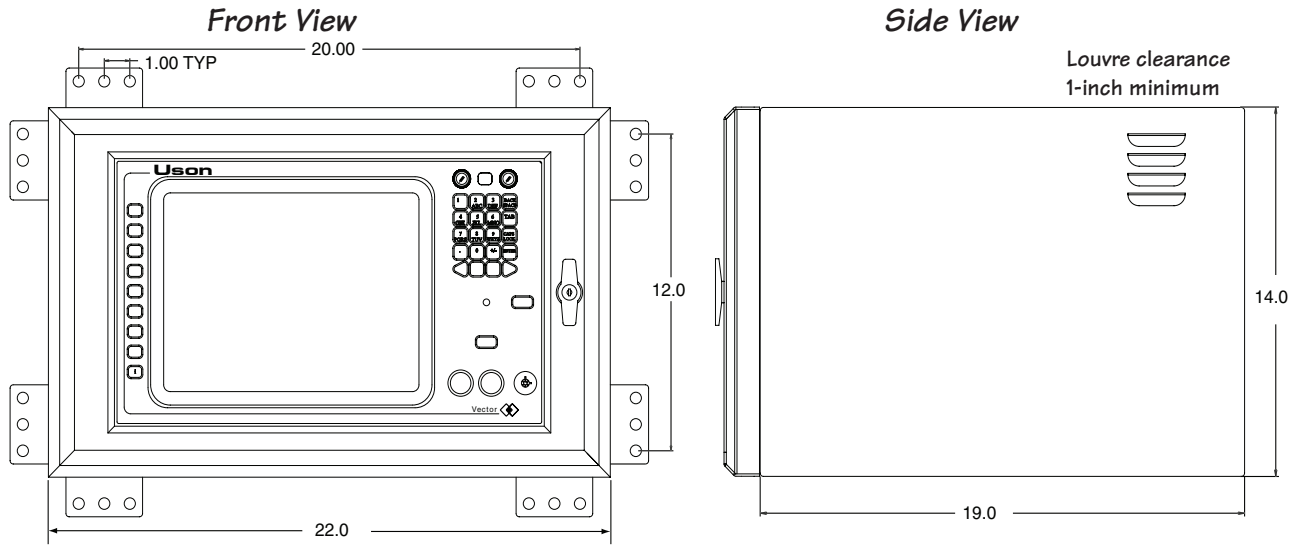
There are optional 12- and 15-slot backplanes. The 12-slot version accommodates 5 LTCUs (up to 10 channels) and one External I/O.

The 15-slot version is similar, but permits adding one additional External I/O.



### Specifications:

<b>Width</b>	22"	<b>Operator Panel</b>	7" Diagonal Color Flat Panel LCD 12.1" Color Flat Panel LCD
<b>Height</b>	14"	<b>Test Pressure Ranges</b>	Vacuum to 5,000 PSI
<b>Depth</b>	20.5"	<b>Resolution</b>	Transducer dependent
<b>Power Options</b>	120/240 VAC 50/60 Hz 24 VDC	<b>Flow Ranges</b>	0.01 cc/min to 1000 SLPM (Other ranges available on request)
<b>Environmental</b>	NEMA 12	<b>No of Channels</b>	Up to 10 totally independent channels
<b>Manufacturing Standards</b>	ISO 9001:2000	<b>Communications Protocol</b>	Ethernet / TCP/IP Profibus, Modbus, or Interbus-S, RS-232
<b>Certifications</b>	CE CSA	<b>Environmental</b>	50 °C, 5-95% Humidity, non-condensing
<b>Number of Programs</b>	No restrictions	<b>Weight</b>	65 lbs. typical
<b>Operating System</b>	Windows™ XP		



**Specifications (continued):**

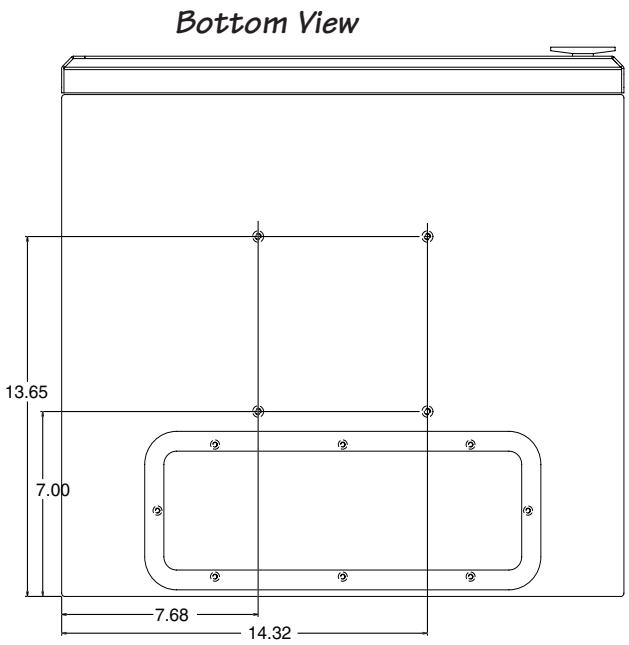
**Testing Modes** Pressure decay  
 Differential pressure decay  
 Pressure increase  
 Mass flow  
 Vacuum configurations

**Options** Signature analysis  
 Custom pneumatics  
 Discrete inputs/outputs  
 Communication interface

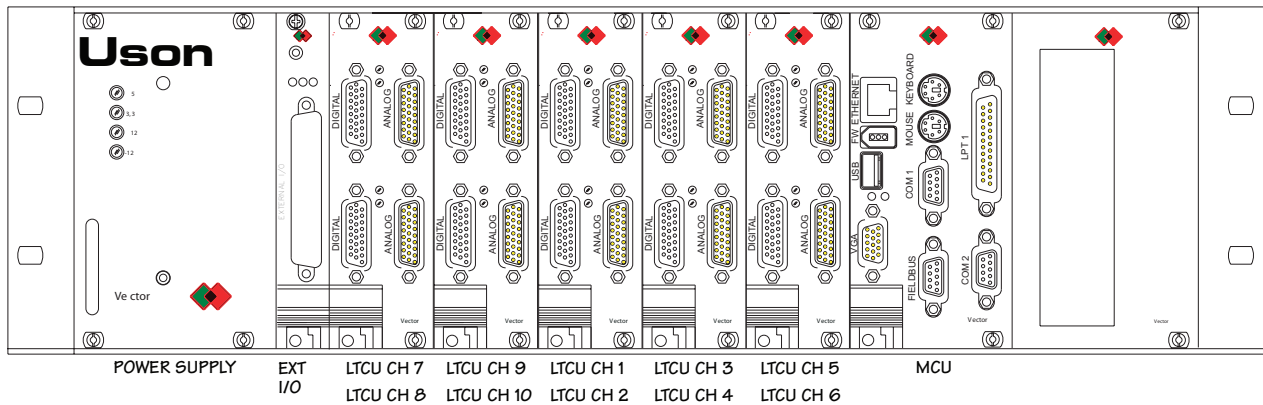
**CPU** 166 MHz CPU  
 600 MHz CPU

**Storage** 20 GB Hard Drive  
 2 GB Solid State Memory

**Chassis** 8-Slot backplane (Standard)  
 12-Slot backplane  
 15-Slot backplane



**Typical 10-Channel Vector Chassis Layout**



Uson may make changes to specifications and product descriptions at any time without notice.

Document 00000 Rev 3